



The G8R Series Padlock

Built to Thrive in Harsh Climates

With its tough, water resistant construction, the Medeco *G8R Series* is the padlock to choose for extreme environments like trailers, cargo containers, and gates.

The padlock body is constructed of solid stainless steel. You can choose either a stainless steel shackle for maximum corrosion resistance, or hardened steel to withstand severe physical attack. Each padlock includes a weather-seal cap attached by a steel cable. An optional finish plate is also included for applications that do not require a water resistant seal.

Benefits:

- ◆ Sealed construction protects cylinders from water and road grime
- ◆ Stainless steel body resists attack and corrosion
- ◆ Shackles can be specified in hardened or stainless steel to fit your application

Applications:

The G8R Series padlock was designed for locking installations requiring weather resistance and strong physical security. Applications include cargo containers, trailer doors, gates, and vending machines.



Warranty:

Warranted for two years against manufacturer's defects. See Medeco limited Warranty for full details.

Technical Information:

Body is cast from 300 series Stainless Steel. Stainless Steel shackles use 300 series stainless. Hardened shackles use case-hardened steel

Padlocks are sold less cylinder. Compatible with all NEXGEN electronic T-handle cylinders, and Medeco mechanical T-handle cylinders

Padlocks are sold with weather-seal cap attached by a steel cable. A finish plate is included for use in applications that do not require the weather-seal cap

medeco[®]
HIGH SECURITY LOCKS

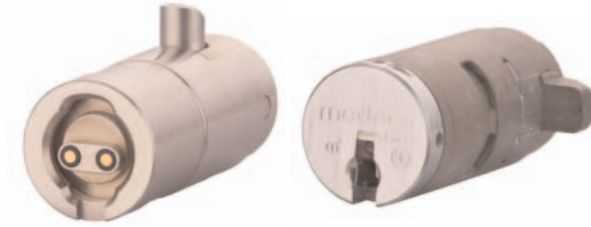
Ordering Information

52 - 1XXX 40

Shackle Type and Size

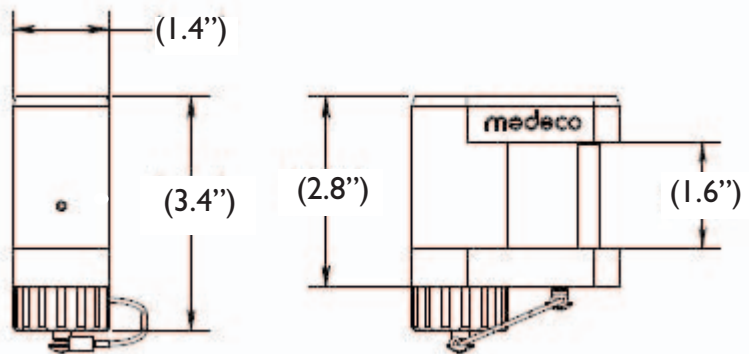
- 10 = 5/16" Stainless Steel
- 11 = 5/16" Hardened Steel
- 20 = 7/16" Stainless Steel
- 21 = 7/16" Hardened Steel

The G8R Series Padlock can be used with either mechanical or electronic cylinders. An optional cover plate is included for applications that do not require a weather proof cap.



Technical Drawings

PADLOCK DIMENSIONS



medeco[®]
HIGH SECURITY LOCKS
Customer Service: 1-888-633-3261